

IP5M-D1188EW-28MM

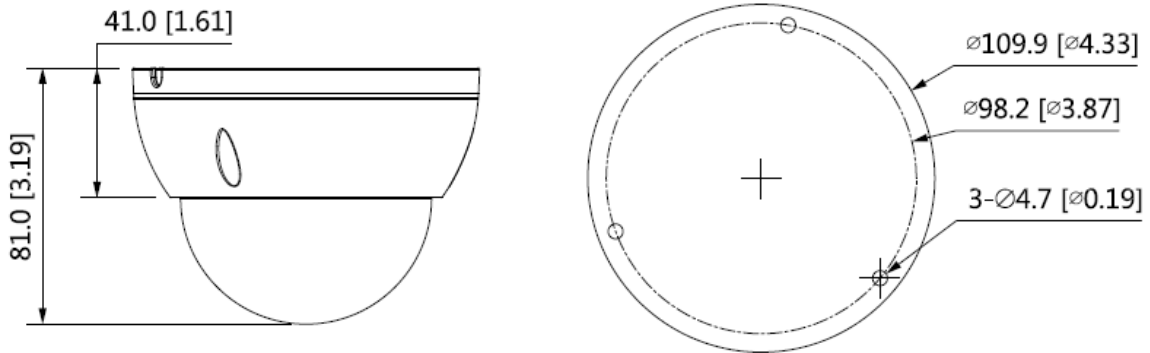
Amcrest 5MP Fixed-Focal Dome Network Camera

Technical Specifications

Model	IP5M-D1188EW-28MM				
Camera					
Image Sensor	1/2.7" 5Megapixel progressive CMOS				
Effective Pixels	2592 (H) × 1944 (V)				
ROM	128MB				
RAM	256MB				
Scanning System	Progressive				
Electronic Shutter Speed	Auto/Manual 1/3 s–1/100000 s				
Minimum Illumination	0.008 Lux @ F1.6				
IR Distance	98.43ft (30m)				
IR On/Off Control	Auto/Manual				
IR LEDs	3				
Pan/Tilt/Rotation Range	Pan: 0°–355°Tilt: 0°–65, Rotation: 0°–355°				
Lens					
Lens Type	Fixed				
Mount Type	M12				
Focal Length	2.8mm				
Max. Aperture	F1.6				
Field of View	Pan: 103°, Tilt: 71°, Diagonal: 132°				
Iris Type	Fixed Aperture				
Closed Focus Distance	2.95ft (0.9m)				
DORI Distance	Lens	Detect	Observe	Recognize	Identify
	2.8mm	183.73ft	73.49ft	36.75ft	19.37ft
Video					
Video Compression	H.264; H.264B; MJPEG				
Smart Codec	Supported				
Video Frame Rate	Main stream: 2592 × 1944 (1 fps-20 fps)2688 × 1520 (1 fps-25/30 fps) Sub stream: 704 × 576 (1 fps-25 fps)704 × 480 (1 fps-30 fps)				
Stream Capability	2 Streams				
Resolution	2592×1944(2592×1944); 2688×1520(2688×1520); 3M(2048×1536); 2304×1296(2304×1296); 1080p(1920×1080); 1.3M (1280 × 960); 720p(1280×720); D1(704× 576/704×480); VGA(640×480); CIF(352×288/352×240)				
Bit Rate Control	CBR/VBR				
Video Bit Rate	H.264: 32 Kbps–8192 Kbps				
Day/Night	Auto (ICR)/Color/B/W				

BLC	Supported
HLC	Supported
WDR	120 dB
White Balance	Auto/natural/street lamp/outdoor/manual/regional custom
Gain Control	Auto/Manual
Noise Reduction	3D NR
Motion Detection	OFF/ON (4 areas, rectangular)
Region of Interest (ROI)	Supports up to 4 Areas
Smart IR	Supported
Image Rotation	0°/90°/180°/270° (Supports 90°/270° with 2688 × 1520 and lower)
Mirror	Supported
Privacy Masking	Supports up to 4 Areas
Management Software	Amcrest Surveillance Pro, Amcrest View Pro (iOS/Android), Amcrest Cloud, Amcrest Blue Iris, most mainstream web browsers including; Google Chrome, Mozilla Firefox, Microsoft Edge, Safari, etc.
Network	
Network	RJ-45 (10/100 Base-T)
Protocol	IPv4; IPv6; HTTP; HTTPS; TCP; UDP; ARP; RTP ; RTSP; RTCP; RTMP; SMTP; FTP; SFTP; DHCP; DNS; DDNS; UPnP; NTP;,, PPPoE
Interoperability	ONVIF(Profile S/Profile G/Profile T);CGI; P2P; Milestone; Genetec
Scene Self-Adaptation	20
User/Host	20
Edge Storage	Amcrest Cloud; FTP; NAS; MicroSD Card (Up to 256GB)
Management Software	Amcrest Surveillance Pro, Amcrest View Pro (iOS/Android), Amcrest Cloud, Amcrest Blue Iris, most mainstream web browsers including; Google Chrome, Mozilla Firefox, Microsoft Edge, Safari, etc.
General	
Power Supply	12V DC/PoE (802.3 af)
Power Consumption	<6.1W
Operating Temperature	-40°F to 140°F (-40°C to 60°C) Less than ≤ 95% RH
Storage Temperature	-40°F to 140°F (-40°C to 60°C) Less than ≤ 95% RH
Protection Grade	IP67, IK10
Casing	Metal
Dimensions	3.19" x Φ4.33" (81 mm × Φ109.9 mm)
Net Weight	0.77 lbs. (0.350 kg)

Dimensions



Mounting

Junction Mount	Wall Mount	Wall Mount	Pole Mount	Ceiling Mount
AMCFPA136	AMCPFA136 + AMCPFA200W	AMCPFB203W	AMCPFB203W + AMCPFA152-E	AMCPFA106 + AMCPFB220C