

RLK8-410B4

5MP/4MP PoE Security Video System! 2TB HDD 8-Channel NVR for 24/7 Recording

- 5MP/4MP Super HD
- 8-Channel NVR
- 2TB HDD Built-in

Specifications

Hardware	
Hardware	N7MB01
Video/Audio Input	
IP Video Input	Up to 12 IP cameras (max.8 wired cameras)
Audio Input	Cameras with built-in mic
Video/Audio Output	
Video Output	VGA, HDMI
Display Resolution	HDMI: 3840*2160, 1920*1080, 1280*1024, 1280*720, 1024*768; VGA: 1920*1080, 1280*1024, 1280*720, 1024*768
Audio Output	1-channel, RCA
Decoding	
Live View/Playback Resolution	7680×2160, 4608×1728, 4512×2512, 4096×3072, 3840×2160, 2560×2560, 2560×1920, 2560×1440, 2048×1536, 2304×1296, 1080p, 720p
Video Format	H.265, H.264

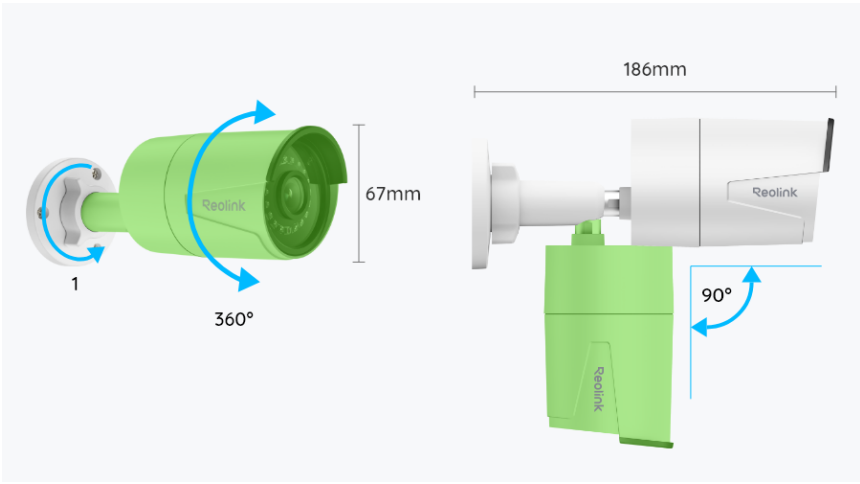
Synchronous Playback	Up to 4 channels
HDD	
SATA	1 x SATA interface (1 × 2TB HDD included)
Capacity	Up to 16TB (max. 8TB capacity for each HDD)
External HDD	1 eSATA interface for HDD
External Interface	
USB Interface	2 × USB 2.0
Network Interface	1, RJ-45 10/100 Mbps self-adaptive Ethernet interface for LAN/WAN; 8, RJ-45 10/100 Mbps self-adaptive PoE Ethernet interface for IP camera
PoE	
Max. Power Per Port	25W
Supported Standard	IEEE 802.3 af/at
Network	
Network Protocols	HTTP, TCP/IP, UDP, DHCP, P2P, UPNP, RTSP, SMTP, SSL/TLS, DNS, DDNS, NTP, FTP
Browsers Supported	Firefox, Chrome, Edge, Safari
OS Supported	PC: Windows, Mac OS; Smartphone: iOS, Android
Max. User Access	20 users (1 admin account & 19 user accounts); Up to 12 simultaneous video streams (10 substreams & 2 mainstreams)
General	
Power Supply	DC 48V~53V
Power Consumption	<10W (without HDD & PoE)
Working Environment	Temperature: -10°C~+45°C (14°F~113°F); humidity: 10%~90%
Dimensions	260 x 41 x 230mm

Weight	1.4kg
Warranty	
Limited Warranty	2-year limited warranty. For support, visit https://support.reolink.com/hc/en-us/ .

Gallery & Specs



1. Mount
2. Metal Aluminum Case
3. IR LED
4. High Definition Lens (f=4.0mm)
5. Daylight Sensor



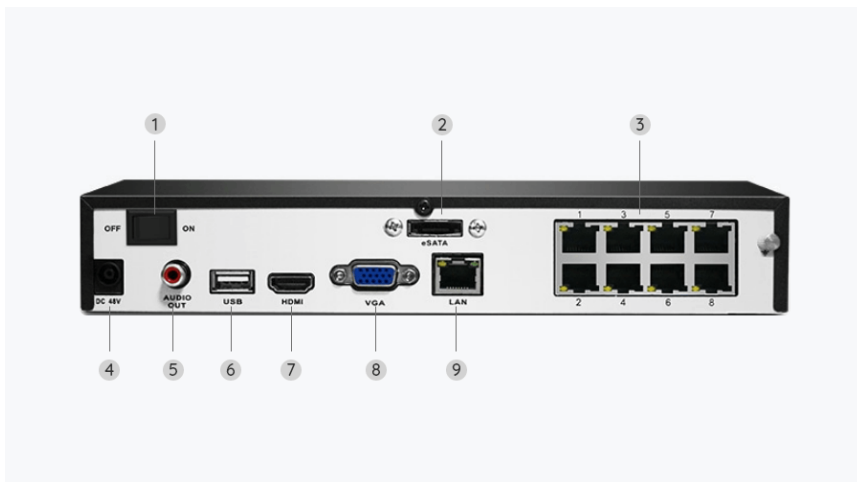
1. Unscrew it (counterclockwise) to loosen the bracket and adjust the camera in any direction.
2. After adjustment, twist it back to fix the camera.



1. Power
2. Reset Button
3. Network
4. Waterproof Lid



1. USB Port
2. Power LED/HDD LED
3. Control Panel



1. On/Off Switch
2. eSATA
3. RJ45
4. Power Input
5. Audio Out
6. USB Port
7. HDMI Port
8. VGA Port
9. Network