

## RLK8-800B4

### Revolutionary 4K Security Camera System with Person/Vehicle Detection & 2TB HDD 8-Channel NVR

- Person/Vehicle Detection
- 4K 8MP Ultra HD
- 2TB HDD 8-Channel NVR

## Specifications

| Hardware                      |  |
|-------------------------------|--|
| Hardware                      | N7MB01   |
| Video/Audio Input             |  |
| IP Video Input                | Up to 12 IP cameras (max. 8 wired cameras)   |
| Audio Input                   | Cameras with built-in mic  |
| Video/Audio Output            |  |
| Video Output                  | VGA, HDMI  |
| Display Resolution            | HDMI: 4096*3072, 3840*2160, 1920*1080, 1440*900, 1280*1024, 1280*720, 1024*768;<br>VGA: 1920*1080, 1440*900, 1280*1024, 1280*800, 1280*720, 1024*768 |
| Audio Output                  | 1-channel, RCA   |
| Decoding                      |  |
| Live View/Playback Resolution | 7680×2160, 4608×1728, 4512×2512, 4096×3072, 3840×2160, 2560×2560, 2560×1920, 2560×1440, 2048×1536, 2304×1296, 1080p, 720p                            |

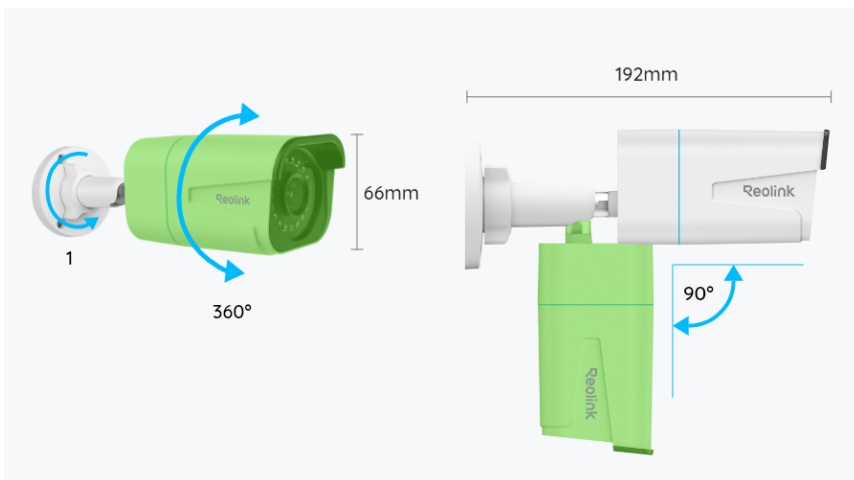
|                           |   |
|---------------------------|---|
| Video Format              | H.264, H.265  |
| Synchronous Playback      | Up to 4 channels  |
| <b>HDD</b>                |   |
| SATA                      | 1 x SATA interface (1 x Seagate 2TB HDD included)   |
| Capacity                  | Up to 16TB (max. 8TB capacity for each HDD)   |
| External HDD              | 1 eSATA interface for HDD   |
| <b>External Interface</b> |   |
| USB Interface             | 2 x USB 2.0   |
| Network Interface         | 1, RJ-45 10/100 Mbps self-adaptive Ethernet interface for LAN/WAN;<br>8, RJ-45 10/100 Mbps self-adaptive PoE Ethernet interface for IP camera |
| <b>PoE</b>                |   |
| Max. Power Per Port       | 25W   |
| Supported Standard        | IEEE 802.3af/at   |
| <b>Network</b>            |   |
| Network Protocols         | HTTP, TCP/IP, UDP, DHCP, P2P, UPNP, RTSP, SMTP, SSL/TLS, DNS, DDNS, NTP, FTP  |
| Browsers Supported        | Edge, Firefox, Chrome, Safari   |
| OS Supported              | PC: Windows, Mac OS; SmartPhone: iOS, Android   |
| Max. User Access          | 20 users (1 admin account & 19 user accounts); supports up to 12 simultaneous video streams (10 substreams & 2 mainstreams)                   |
| <b>General</b>            |   |
| Power Supply              | DC 48V/1.875-2.5A   |
| Power Consumption         | <10W (without HDD & PoE)  |
| Working Environment       | Temperature: -10°C~+45°C (14°F~113°F); humidity: 10%~90%  |

|                  |   |
|------------------|---|
| Dimensions       | 260 x 41 x 230mm  |
| Weight           | 1.4kg   |
| <b>Warranty</b>  |   |
| Limited Warranty | 2-year limited warranty. For support, visit <a href="https://support.reolink.com/hc/en-us/">https://support.reolink.com/hc/en-us/</a> . |

## Gallery & Specs



1. Mount
2. Metal Housing
3. IR LEDs
4. High-Definition Lens (f=4.0 mm)
5. Daylight Sensor



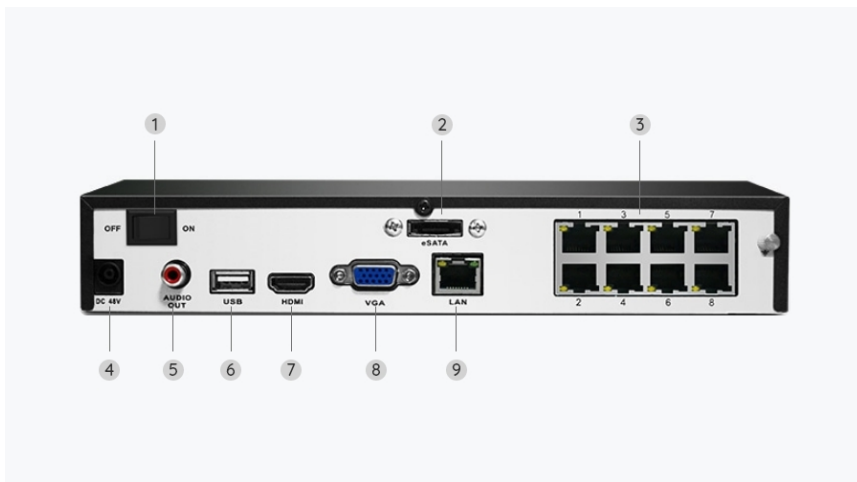
1. Unscrew it (counterclockwise) to loosen the bracket and adjust the camera in any direction.
2. After adjustment, twist it back to fix the camera.



1. Power
2. Reset Button
3. Network
4. Waterproof Lid



1. USB Port
2. Power LED/HDD LED
3. Control Panel



1. On/Off Switch
2. eSATA
3. RJ45
4. Power Input
5. Audio Out
6. USB Port
7. HDMI Port
8. VGA Port
9. Network