

## RLK8-811B4

### 8CH 4K Spotlight PoE System with 5X Optical Zoom

- Person/Vehicle Detection
- 4K UHD & 5X Optical Zoom
- 2TB HDD 8-Channel NVR

## Specifications

Video & Audio	
Image Sensor	1/2.8" CMOS Sensor
Video Resolution	Default: 3840 x 2160 (8.0 megapixels)@25 fps
Lens	f=2.7-13.5mm F=1.6-3.3, with IR cut
Optical Zoom	5× optical zoom
Video Format	H.264/H.265
Field of View	Horizontal: 105°- 31° Vertical: 55°- 17°
Day & Night	Auto-switching with IR-cut filter
Infrared Night Vision	Up to 30 meters (IR LED: 4pcs/28mil/850nm)
Color Night Vision	Spotlight: 5pcs/4W/6500K/450 lumens
Audio	Two-way audio
Power	
PoE	IEEE 802.3af, 48V active
DC Power	DC 12.0V 1A, <12W
Interface	

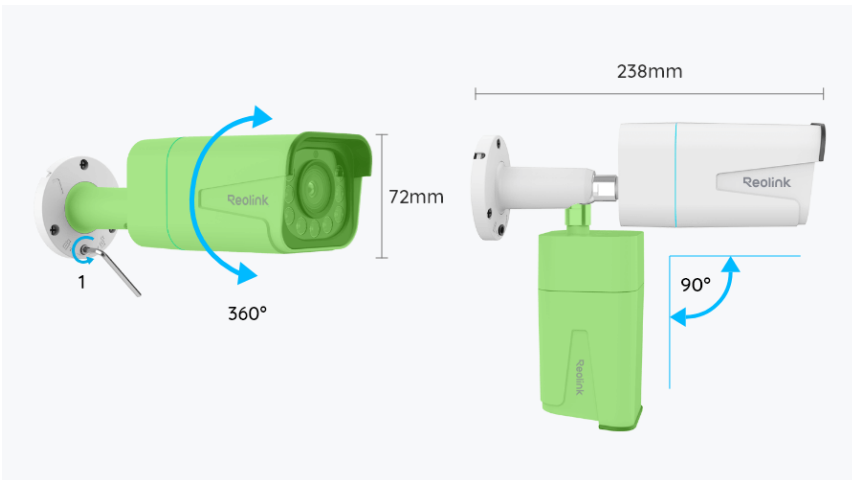
Power	DC power port
System	Reset button
Ethernet	One 10M/100Mbps; RJ45
Storage	microSD card slot (Max. 256GB)
Audio	Built-in microphone and speaker
<b>Software Features</b>	
Frame Rate	Mainstream: 2fps - 25fps (Default: 25fps) Substream: 4fps - 15fps (Default: 10fps)
Code Rate	Mainstream: 4096Kbps - 8192Kbps (Default: 6144Kbps) Substream: 64Kbps - 512Kbps (Default: 256Kbps)
Browsers Supported	Edge, Chrome, Firefox, Safari
OS Supported	PC: Windows, Mac OS; Smartphone: iOS, Android
Smart Alarm	Motion detection; Person/vehicle/animal detection
Record Mode	Motion recording (default); Scheduled recording; 24/7 recording
Protocols & Standards	HTTPS, SSL, TCP/IP, UDP, HTTP, IPv4, UPnP, RTSP, RTMP, SMTP, NTP, DHCP, DNS, DDNS, FTP, P2P
Maximal User Access	20 users (1 admin account & 19 user accounts); 12 simultaneous video streams (10 substreams & 2 mainstreams)
Work with	Google Assistant
<b>Working Environment</b>	
Operating Temperature	-10°C to 55°C (14°F to 131°F)
Humidity	10% ~ 90%
Weatherproof	IP67
<b>Size &amp; Weight</b>	
Dimensions	80 × 72 × 238mm

Weight	838g
<b>Warranty</b>	
Limited Warranty	2-Year limited warranty. For support, visit <a href="https://support.reolink.com/hc/en-us/">https://support.reolink.com/hc/en-us/</a>

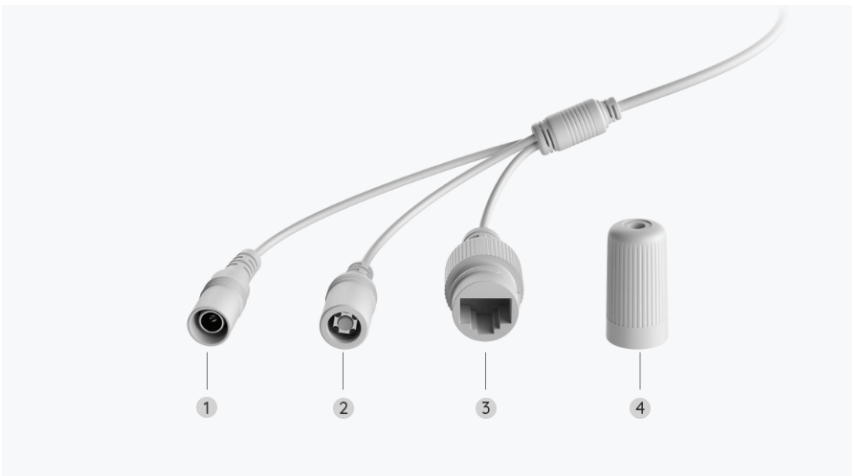
## Gallery & Specs



1. Mount
2. Aluminum Metal Case
3. IR LED
4. High Definition Lens (f=2.7- 13.5 mm)
5. Spotlight



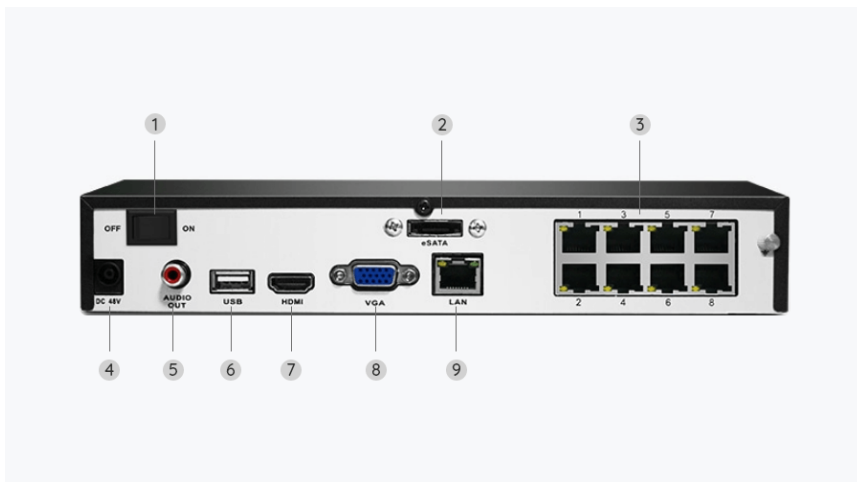
1. Loosen the screw (counterclockwise) with the wrench and adjust the camera in any direction.
2. After adjustment, tighten the screw to fix the camera.



1. Power
2. Reset Button
3. Network
4. Waterproof Lid



1. USB Port
2. Power LED/ HDD LED
3. Control Panel



1. On/Off Switch
2. eSATA
3. RJ45
4. Power Input
5. Audio Out
6. USB Port
7. HDMI Port
8. VGA Port
9. Network